

Scalable Network Design for Schools

Network Asset Management

Ronald Matovu
rmatovu@renu.ac.ug

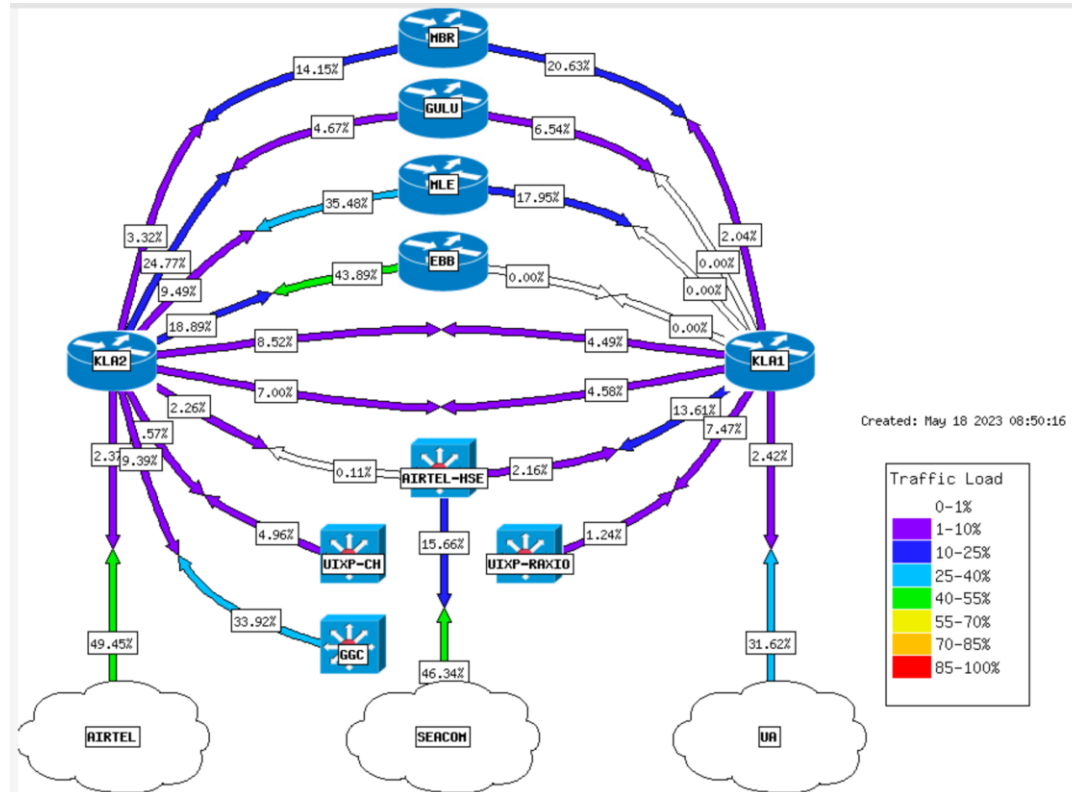


Network Asset Management (Your Connection)

Outline

- The RENU Backbone
- Last mile connection
- CPE Maintenance
- Device Failure

RENU Backbone



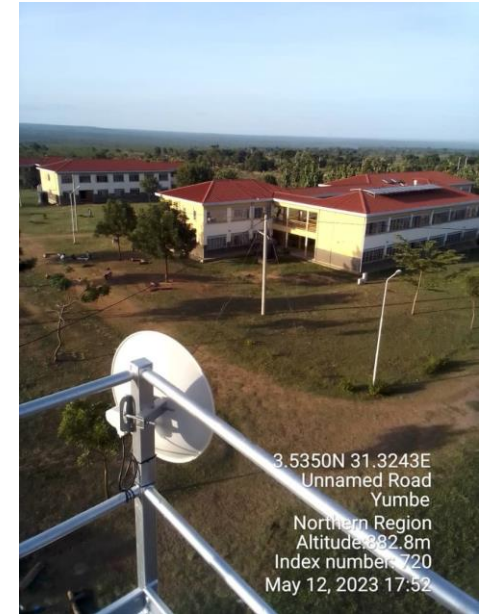
RENU Last mile Options

- Fiber



RENU Last mile Options

- Microwave



CPE Vendors



CPE – Customer Premise Equipment



Care for CPE Equipment - Power

- Supply proper clean power
- Have proper earthing
- Have voltage regulators, surge protectors,
- Consider power backups
- Effects of power fluctuations
- Have proper cooling



Care for CPE Equipment - cleanliness

- Racks
- Cabling
- Rodents
- Water/liquids



CPE Maintenance

- OS Upgrades
- Blowing
- EOL/EOS

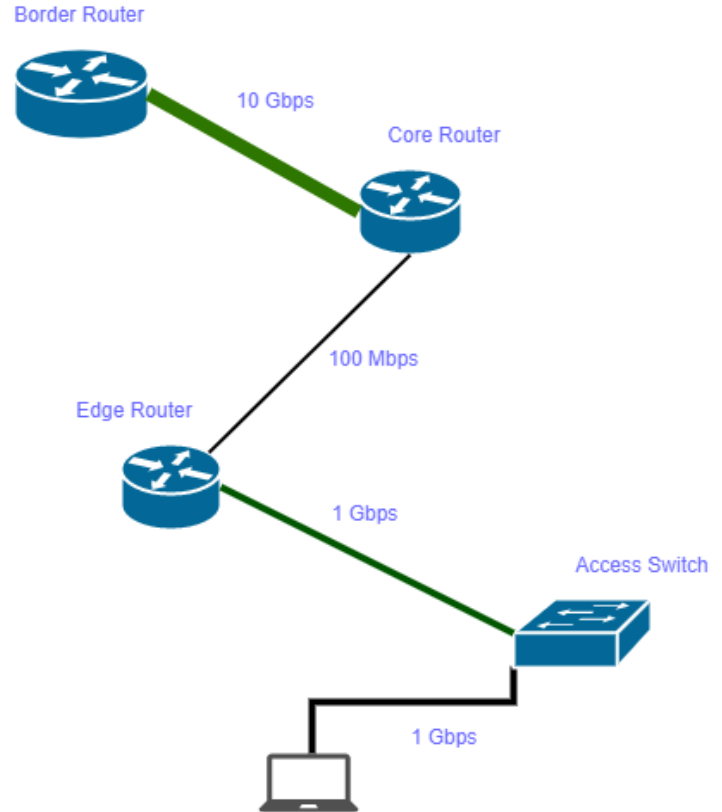
Proper LAN

- Proper cabling
- Racks
- Physical security
- Access to the labs/racks



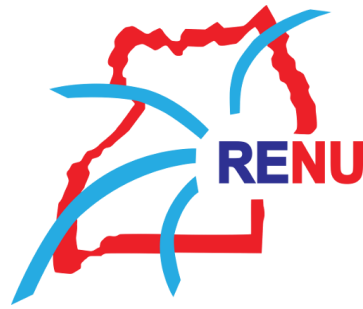
LAN Cabling

- Cable types
- Cable Capacity
- Consider using fiber for long distances





Q & A



THE END

Thank you for your time